

VR-2

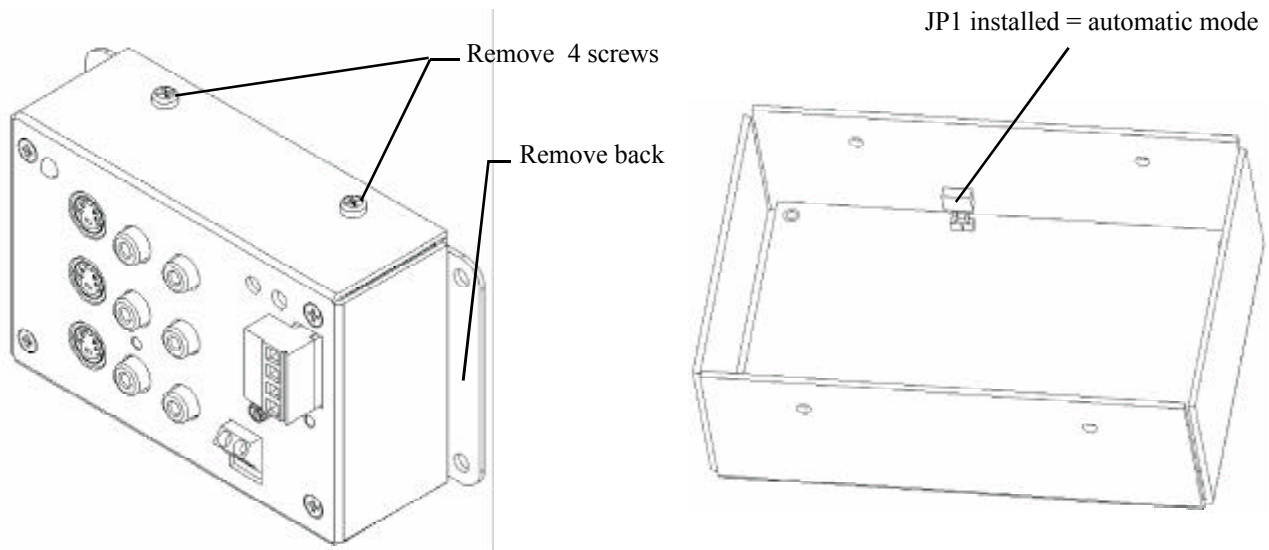
Operation/Instruction Sheet

The VR-2 series is a 2 input and 1 output audio/video switch. The following model list will help identify the unit you have.

VR-2	RCA audio/video
VR-2/BNC	RCA audio/BNC video
VR-2Y	RCA audio/DIN S-Video
VR-2Y/BNC	BNC x 2 S-Video

Manual or Automatic Mode

The VR-2 can be used in either automatic or manual modes. This mode is changed by a jumper inside the unit. To get to the jumper, remove the four screws on the sides of the unit. You should receive the unit in the automatic mode from the factory.



Control Connections (manual mode)

The VR-2 can be controlled by three different methods.

- 1) dc voltage control: The VR-2 will route the A input signal to the output when the DC trigger is at zero volts. When a voltage is applied, the unit will route the B input to the output.
- 2) IR controlled: Using an existing IR repeater system, the VR-2 can be wired into an existing IR repeater system using the IR terminals.
- 3) Manual: The A and B switches offer direct manual control of the VR-2. These are also used to teach the IR control commands to learning remote controllers.

Teaching the IR commands

To teach the VR-2s IR commands to a learning device, simply press the A or B buttons while the learning device is placed above the TEACH emitter. Distance from the emitter will range based upon the learning device and experimentation may be required with some learning products. Also orientation of the learning device may require experimentation for optimum response to the VR-2s commands.

