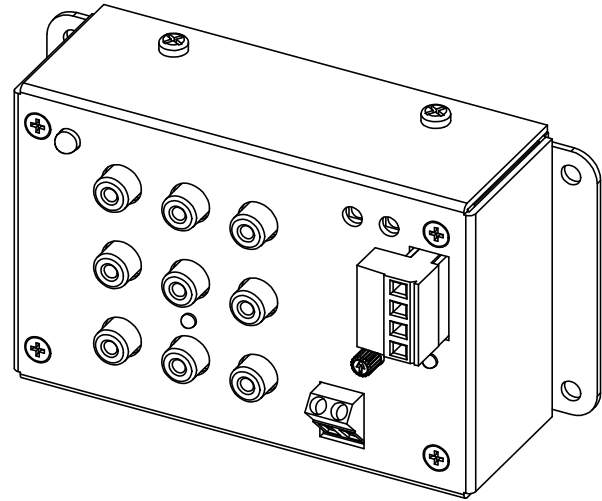
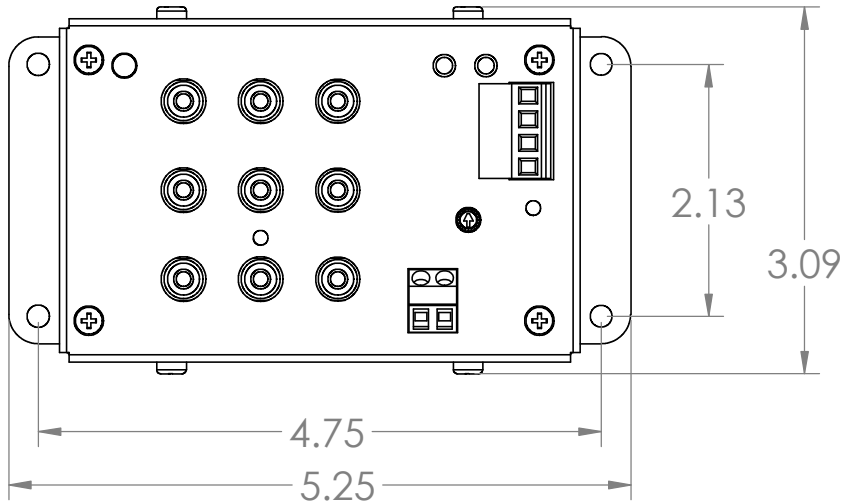
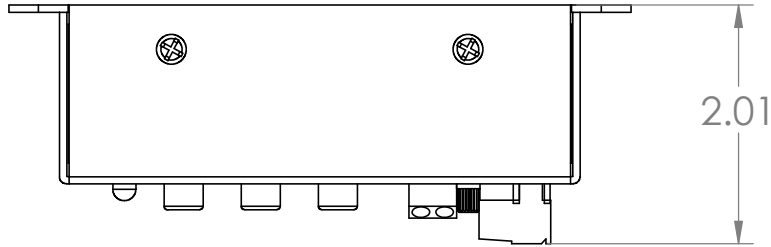


THE INFORMATION CONTAINED IN THIS DRAWING IS THE SOLE PROPERTY OF R.F. SYSTEMS, INC. ANY REPRODUCTION IN PART OR WHOLE WITHOUT THE WRITTEN PERMISSION OF R.F. SYSTEMS, INC. IS PROHIBITED.

| REVISIONS |             |      |          |
|-----------|-------------|------|----------|
| REV.      | DESCRIPTION | DATE | APPROVED |
|           |             |      |          |
|           |             |      |          |
|           |             |      |          |



| ITEM NO.  | PART OR IDENTIFYING NO. | NOMENCLATURE OR DESCRIPTION                   | MATERIAL SPECIFICATION | QTY RECD     |
|---|-------------------------|---|------------------------|--------------|
| PARTS LIST  |                         |   |                        |              |
| UNLESS OTHERWISE SPECIFIED DIMENSIONS ARE IN INCHES TOLERANCES ARE: |                         | CAD GENERATED DRAWING. DO NOT MANUALLY UPDATE |                        |              |
| FRACTIONS DECIMALS ANGLES   |                         | APPROVALS DATE                                |                        |              |
| ± .XX+ .01 +.1  |                         | DRAWN   |                        |              |
| .XXX+.005   |                         | CHECKED                                       |                        |              |
| MATERIAL  |                         | RESP ENG                                      |                        |              |
| FINISH  |                         | MFG ENG                                       |                        |              |
| DO NOT SCALE DRAWING  |                         | QUAL ENG                                      |                        |              |
| NEXT ASSY USED ON   |                         | SIZE DWG. NO.                                 |                        | REV.         |
| APPLICATION   |                         | SCALE   | CAD FILE               | SHEET 1 OF 1 |

**R.F. Systems, Inc.**  
Lafayette, Colorado

**VR-2**