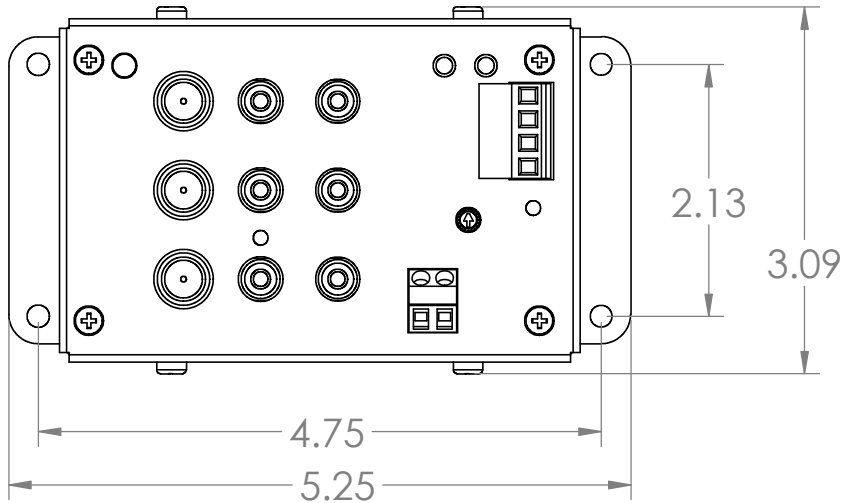
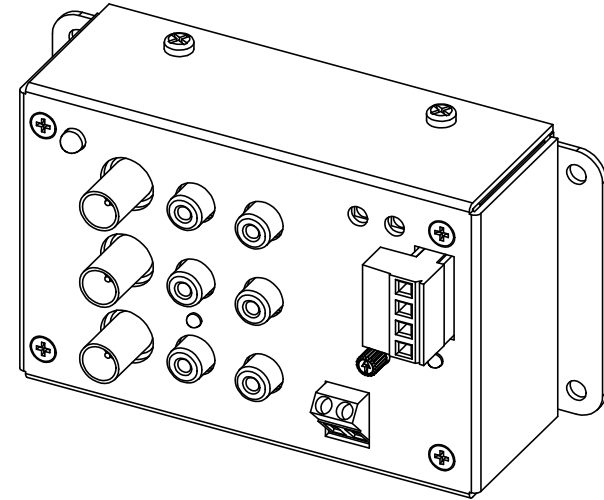
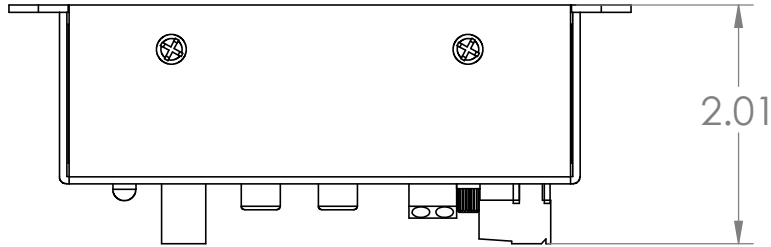


THE INFORMATION CONTAINED IN THIS DRAWING IS THE SOLE PROPERTY OF R.F. SYSTEMS, INC. ANY REPRODUCTION IN PART OR WHOLE WITHOUT THE WRITTEN PERMISSION OF R.F. SYSTEMS, INC. IS PROHIBITED.

REVISIONS			
REV.	DESCRIPTION	DATE	APPROVED



ITEM NO.	PART OR IDENTIFYING NO.	NOMENCLATURE OR DESCRIPTION	MATERIAL SPECIFICATION	QTY RECD
PARTS LIST				
UNLESS OTHERWISE SPECIFIED DIMENSIONS ARE IN INCHES TOLERANCES ARE:		CAD GENERATED DRAWING. DO NOT MANUALLY UPDATE		
FRACTIONS DECIMALS ANGLES		APPROVALS DATE		
± .XX+ .01 +.1		DRAWN		
.XXX+.005		CHECKED		
MATERIAL		RESP ENG		
FINISH		MFG ENG		
DO NOT SCALE DRAWING		QUAL ENG		
NEXT ASSY USED ON		SIZE DWG. NO.		REV.
APPLICATION		SCALE	CAD FILE:	SHEET 1 OF 1

R.F. Systems, Inc.
Lafayette, Colorado

VR-2/BNC